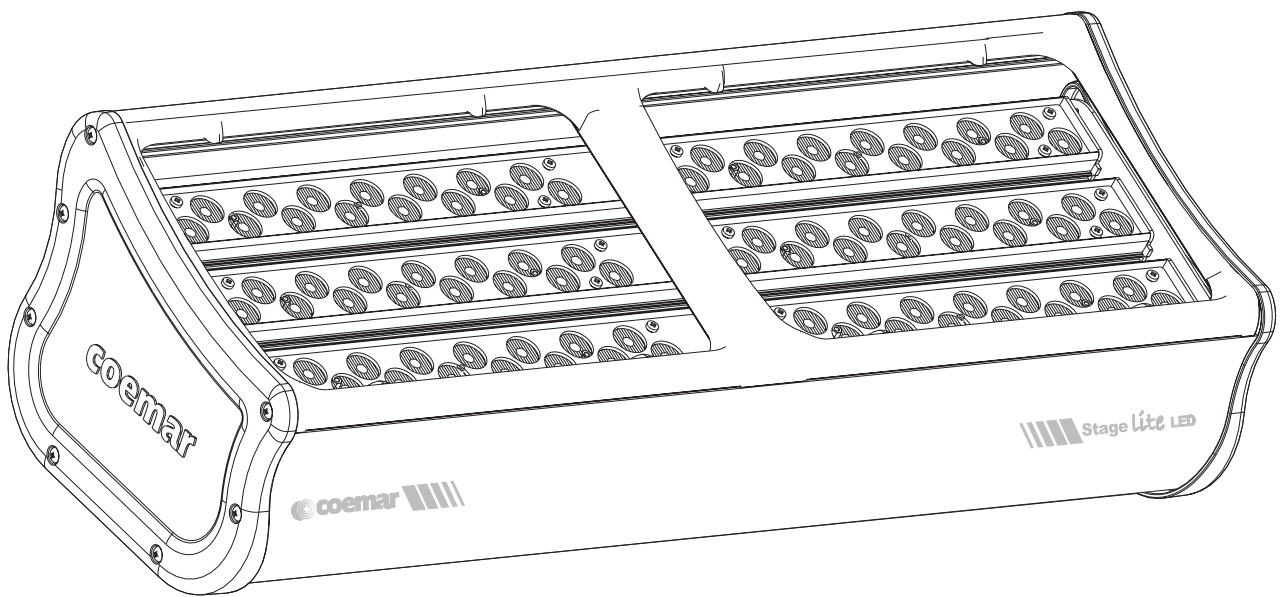


Stage *lite* LED



instructions manual manuale di istruzioni

Version 2.0
DIS 119

 **coemar**
L I G H T E M O T I O N

Stage *Lite* LED

serial number/numero di serie

date of purchase/data di acquisto

retailer/fornitore

address/indirizzo

suburb/cap/città

capital city/provincia

state/stato

tel./fax/

*Please note in the space provided above the relative service information of the model and the retailer from whom you purchased your **Stage Lite Led**: this information will assist us in providing spare parts, repairs or in answering any technical enquiries with the utmost speed and accuracy.*

Prendete nota, nello spazio apposito, dei dati relativi al modello e al rivenditore del vostro **Stage Lite Led**: questi dati ci permetteranno di assistervi con la massima rapidità e precisione.

WARNING: *the security of the fixture is granted only if these instructions are strictly followed; therefore it is absolutely necessary to keep this manual.*

ATTENZIONE: *la sicurezza dell'apparecchio è garantita solo con l'uso appropriato delle presenti istruzioni, pertanto è necessario conservarle.*

Index

1. Packaging and transportation	Pag. 6
1.1. Packaging	" 6
1.2. Transportation	" 6
2. General information	Pag. 6
2.1. Important safety information	" 6
2.2. Warranty conditions	" 6
2.3. Certification	" 6
3. Product specifications	Pag. 7
3.1. Technical characteristics	" 7
3.2. Overview	" 7
3.3. Dimensions	" 8
3.4. Projector components	" 9
4. Installation	Pag. 9
4.1. Mechanical installation	" 9
4.2. Attaching a safety chain	" 10
4.3. Adjusting projector's tilt	" 10
4.4. Replacing lenses	" 11
5. Powering up	Pag. 13
5.1. Operating voltage and frequency	" 13
5.2. Mains connection	" 13
6. DMX signal functions	Pag. 14
6.1. Connecting DMX signal	" 14
7. Turning on the projector	Pag. 15
7.1. DMX addressing	" 15
7.2. DMX functions Global (12 channels)	" 16
7.3. DMX functions Zone (16channels)	" 18
7.4. DMX functions Line (20 channels)	" 20
7.5. DMX functions Frame (32 channels)	" 22
8. Display panel functions	Pag. 24
8.1. Quick guide to menu navigation	" 24
8.2. Mode settings (MODE)	" 24
8.3. Measure and test (MEAS)	" 25
8.4. Function settings (FUNC)	" 25
8.5. Rapid scrolling	" 26
8.6. Connecting the DR1	" 26
8.7. Electronic leds and motor alignment	" 26
8.8. Error messages	" 29
9. Spare parts	Pag. 29
10. Maintenance	Pag. 29
10.1. Fuse replacement	" 29
10.2. Periodic maintenance	" 30
11. Frequently asked questions	Pag. 30

English

Congratulations on having purchased a **Coemar**, you have assured yourself a fixture of the highest quality, both in componentry and in the technology used. We renew our invitation to you to complete the service information on the previous page, to expedite any request for service information or spares (in case of problems encountered either during, or subsequent to, installation). This information will assist in providing prompt and accurate advice from your **Coemar** service center.

Following the instructions and procedures outlined in this manual will ensure the maximum efficiency of this product for years to come..

1. Packaging and transportation

1.1. Packaging

Open the packaging and ensure that no part of the equipment has suffered damage in transit. In case of damage to the equipment, contact your carrier immediately by telephone or fax, following this with formal notification in writing.

Packing list

Ensure the packaging contains:

- 1 Stage Lite Led
- 1 instruction manual
- 2 cam-lock support brackets for suspended installation
- 2 cam-lock support brackets for floor installation

1.2. Transportation

The **Cyc Lite Led** should be transported in its original packaging or in an appropriate flight case.

2. General information

2.1. Important safety information

Fire prevention:

1. Never locate the fixture on any flammable surface.
2. Minimum distance from flammable materials: 0,5 m.
3. Minimum distance from the closest illuminable surface: 0,5 m.
4. Replace any blown or damaged fuses only with those of identical values. Refer to the schematic diagram if there is any doubt.

Preventing electric shock:

1. High voltage is present in the internals of the unit. Isolate the projector from mains supply prior to performing any function which involves touching the internals of the unit, including lamp replacement.
2. For mains connection, adhere strictly to the guidelines outlined in this manual.
3. The level of technology inherent in the **Stage Lite Led** requires the use of specialised personnel for all service applications; refer all work to your authorised **Coemar** service centre.
4. A good earth connection is essential for proper functioning of the projector.
5. Mains cables should not come into contact with other cables. Never operate the unit without proper earth connection.
6. Do not operate the projector with wet hands or in an area where water present.

Safety:

1. The projector should always be installed with bolts, clamps, and other fixings which are suitably rated to support the weight of the unit.
2. Always use a secondary safety chain of a suitable rating to sustain the weight of the unit in case of the failure of the primary fixing point.
3. Never install the fixture in an enclosed area lacking sufficient air flow; the ambient temperature should not exceed 35°C.
4. The external surface of the unit, at various points, may exceed 80°C. Never handle the unit until at least 10 minutes have elapsed since the lamp was turned off.

Protection rating of the body against liquids and solids (IP 65 version):

1. The fixture has an IP65 protection rating; this indicates that it is protected against dust and significant showers of water. This protection rating allows the fixture to be installed in an exposed location in inclement weather conditions.

2.2. Warranty conditions

1. The fixture is guaranteed for a period of 12 months against manufacturing faults and faulty materials.
2. Faults due to incorrect operation or operation in an inappropriate manner are not covered by the warranty.
3. The warranty is immediately void if the fixture has been operated or serviced by unqualified or unauthorised personnel.
4. The warranty does not include fixture replacement.
5. The model and serial numbers must be supplied for any warranty claims or advice from our authorised service personnel.

2.3. Certification



1. The fixture meets the essential requirements of the directive EMC 89/336/EEC, 93/68/EEC, BT73/23/EEC.
2. The fixture is in accordance with the standard EN 50419 (RoHS) and satisfies the requirements of the directive 2002/96/EC (WEEE).



According to article 13 of D.L. July 25th 2005, n° 151 "Implementing directives 2002/95/CE and 2003/108/CE, regarding the reduction of the dangerous substances usage in the electric and electronic devices, and the disposal of waste materials.

3. Product specifications

3.1. Technical characteristics

Power :	90/250 Vac 50/60Hz Autosensing
Nominal current:	1A @ 230Vac 2A @ 115Vac
Power factor:	cos ϕ = 0,9
Led power:	96 Led x 1W
Minimum ambient temperature:	-15°C / 5°F
Maximum ambient temperature:	35°C / 95°F
Weight:	12 Kg / 26,4 lbs
IP rating:	IP20(standard version) IP65(IP version)

3.2. Overview

The technological heart of **Stage Lite Led** is made of 96 powerful leds projecting infinite combinations of colours, mounted on three parallel, motor driven, 180° degrees orientating bars. In the following pages, for convention, these bars are called **lines** and are enumerated from the bottom to top **Line 1**, **Line 2** and **Line 3**, the two groups of leds of each line is denominated **Frame**.

The fixture can operate in 4 different modes:

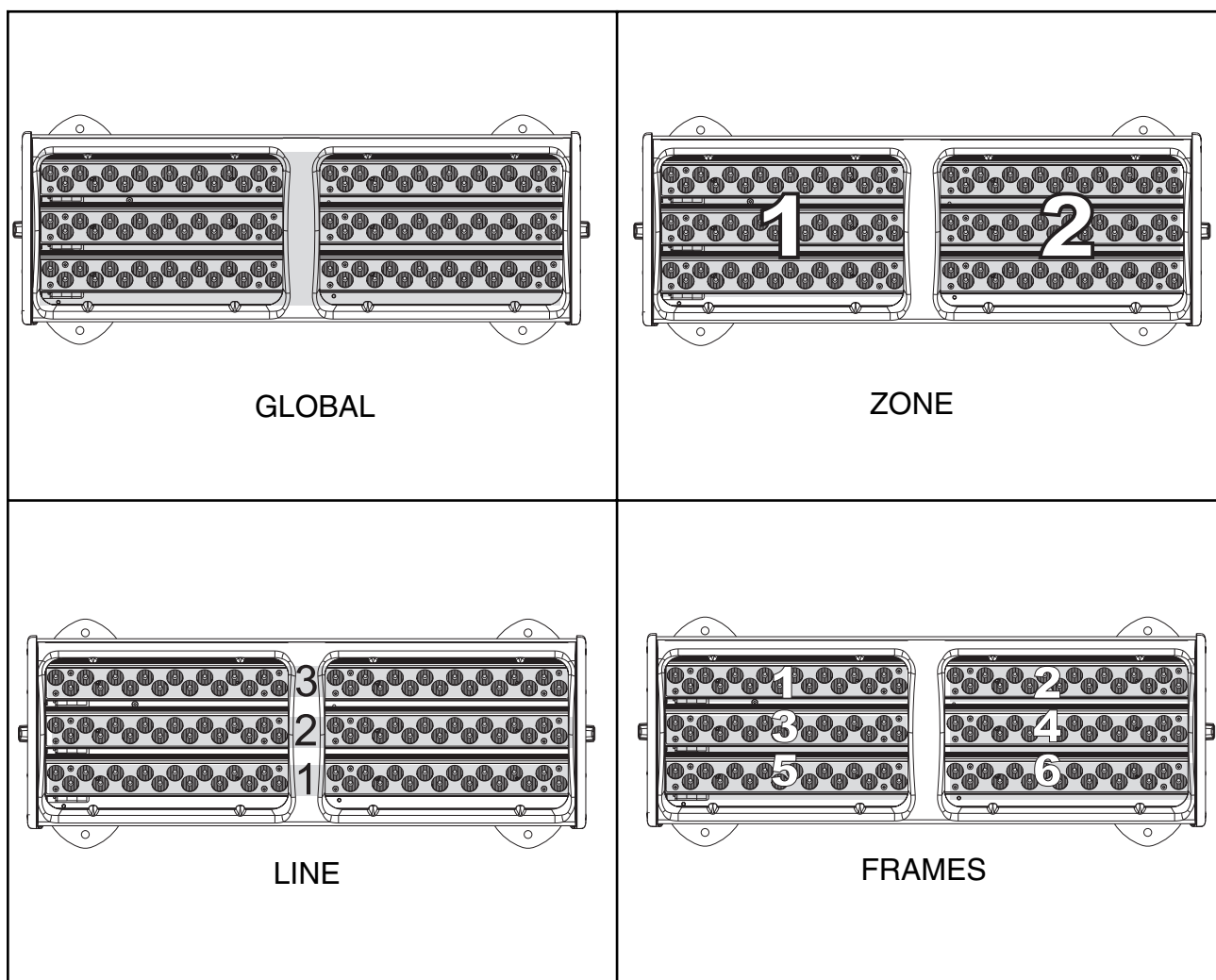
Global : the fixture is driven by 12 channels; all leds produce one colour.

Zone : the fixture is driven by 16 channels; it is possible to divide the fixture in two zones and simultaneously produce two colours.

Line : the fixture is driven by 20 channels; the three lines can produce simultaneously three different colours.

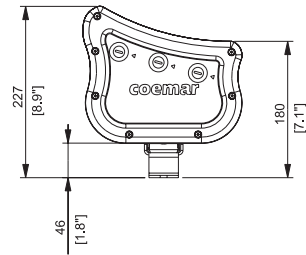
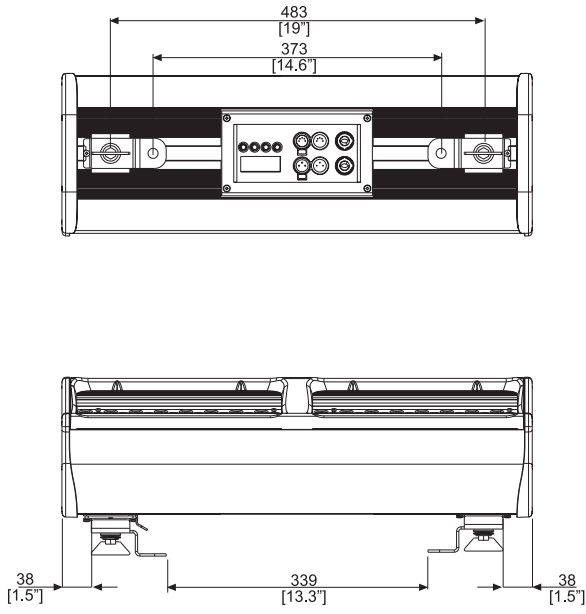
Frame : the fixture is driven by 32 channels; the six frames can produce simultaneously six different colours.

Stage Lite Led IP65 version, or the **PAN15** optional kit to upgrade the standard one, permits to use the fixture also outdoor, in wet conditions and with rain.

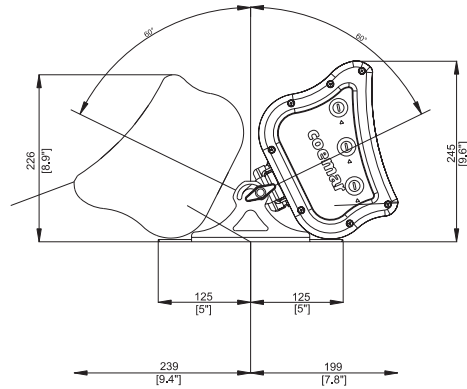
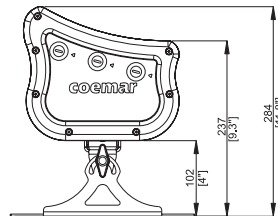
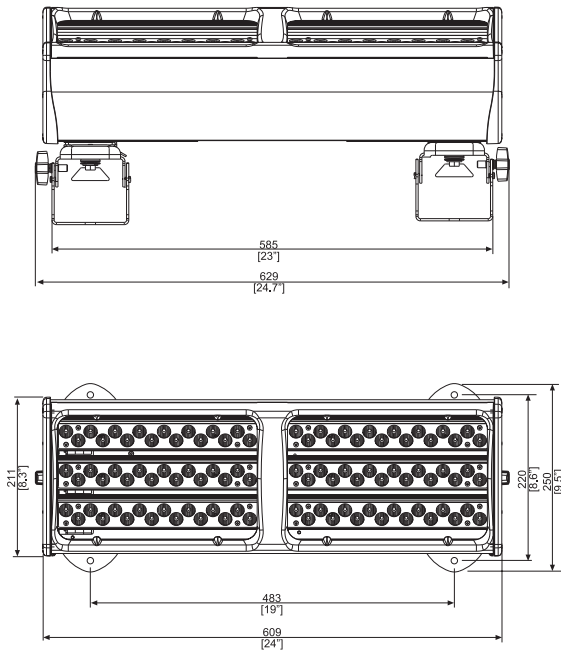


3.3. Dimensions

Suspended installation version.

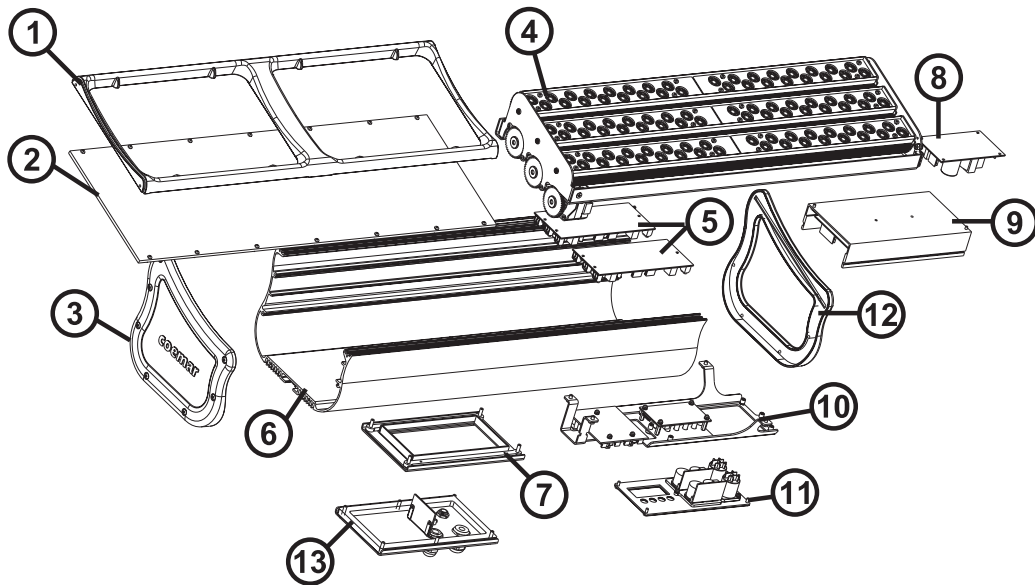


Floor installation version.



3.4. Projector components

The **Stage Lite Led** main components are showed in the following image.



Components list

- | | |
|-----------------------------|-----------------------------|
| 1. Top frame | 7. IP20 frame |
| 2. Polycarbonate screen | 8. Switching power supply 1 |
| 3. Right cover | 9. Switching power supply 2 |
| 4. Internal led lines group | 10. Display panel |
| 5. Led controllers group | 11. DMX IP20panel |
| 6. Projector body | 12. Left cover |
| | 13. DMX IP65 panel |

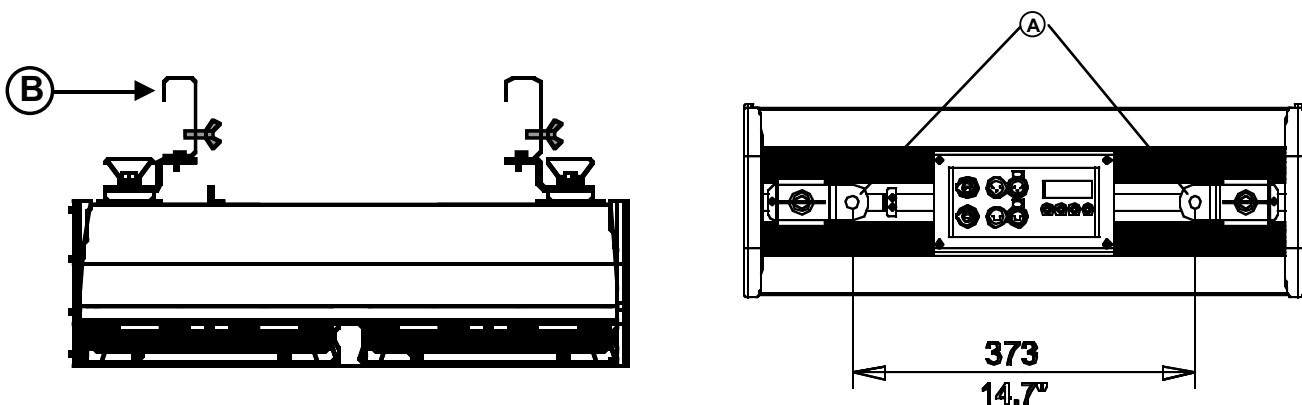
4. Installation

4.1. Mechanical installation

Stage Lite Led may be floor mounted or hung from an appropriate structure in any position.

Mobile installations

If hanging the fixture from a lighting truss or similar, we recommend the use of appropriate clamps "B", affixed to the fixture in the holes "A" provided, as shown in the following diagram.



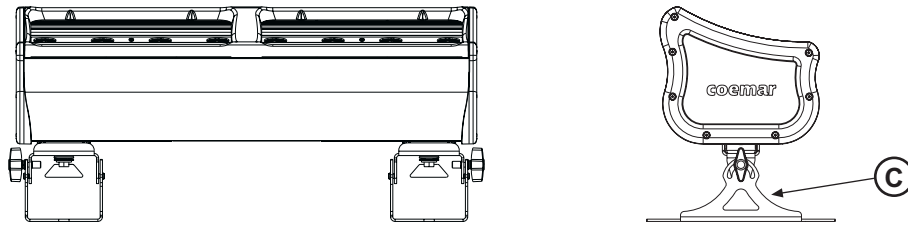
ATTENTION!!

Always ensure that your support structure and fixings (bolts, clamps, etc.) are rated to support the weight of the fixture.

English

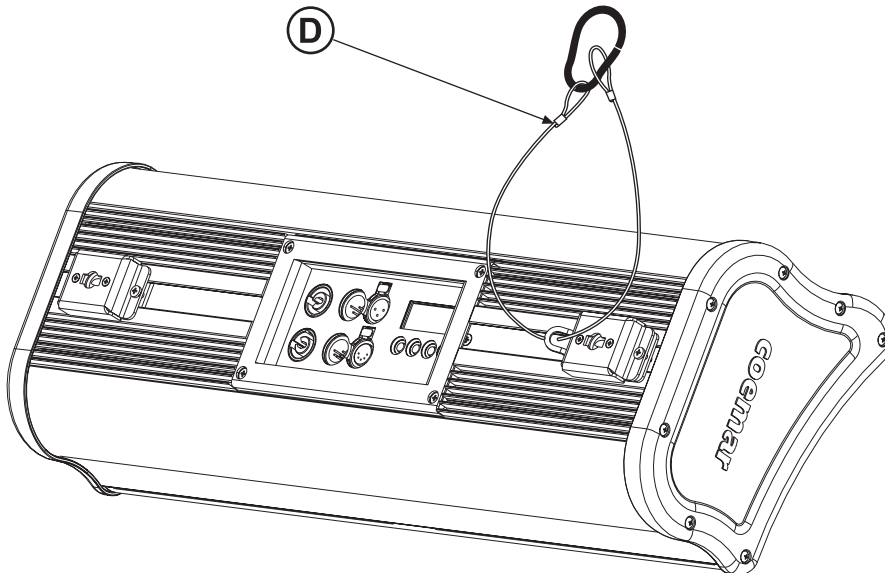
Floor mounted installations

If the fixture is floor mounted, we recommend the use of appropriate clamps "C" as shown in the following diagram..



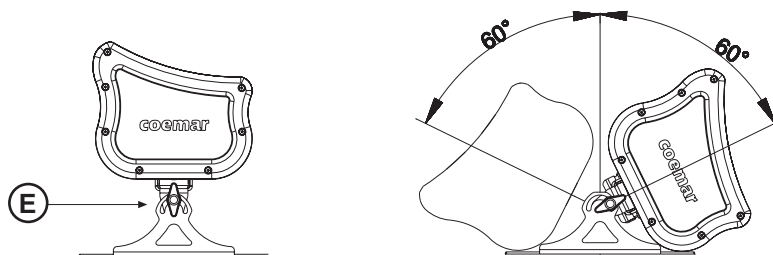
4.2. Safety chain

When hanging the **Stage Lite Led** we recommend the use of a safety chain "D" affixed to the yoke and to the suspension device. The safety chain should be either a metal wire rope or a metal chain, both suitably rated for the purpose.



4.3. Adjusting projector's tilt

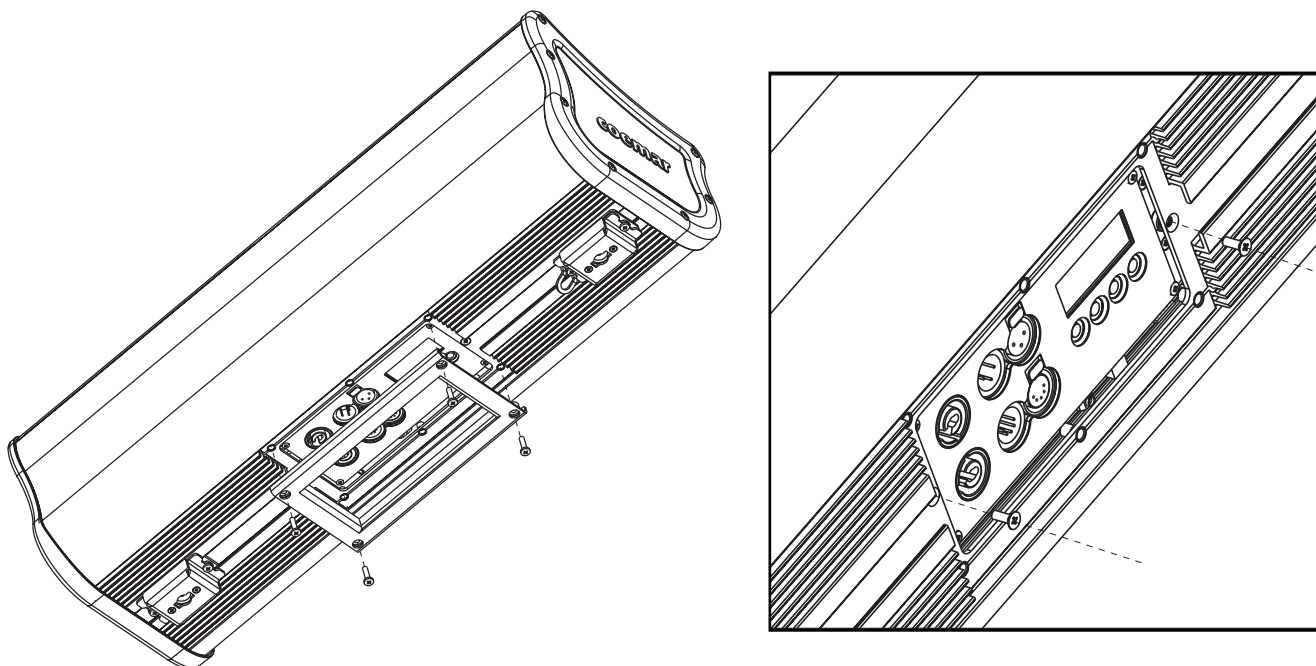
Stage Lite Led tilt, when floor mounted, can be adjusted in a range of 120° as preferred. In order to adjust the tilt untight the "E" handles sited on the sides of the supports, adjust the tilt angle as preferred then tight again the handles.



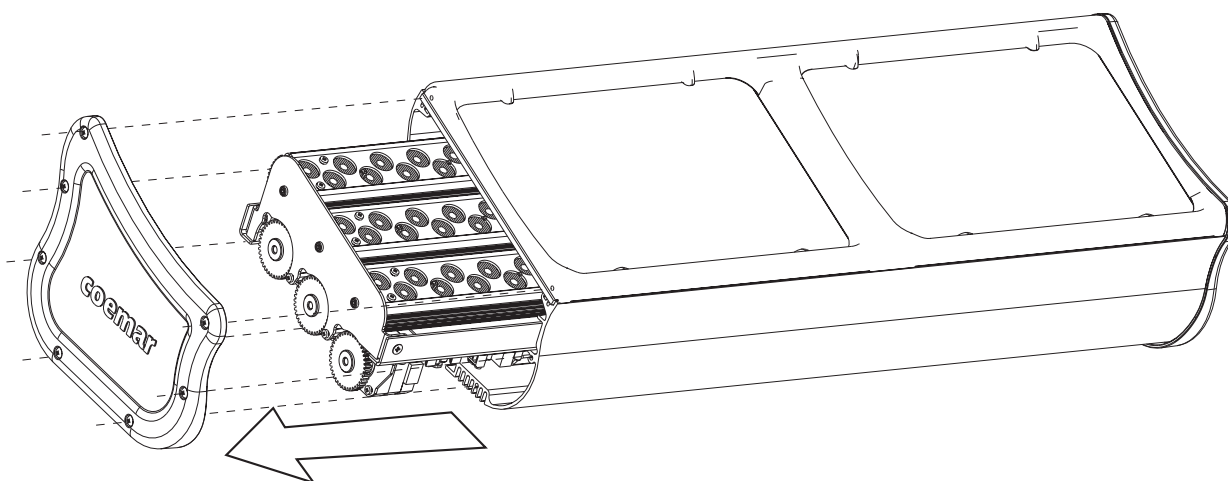
4.4. Replacing lenses

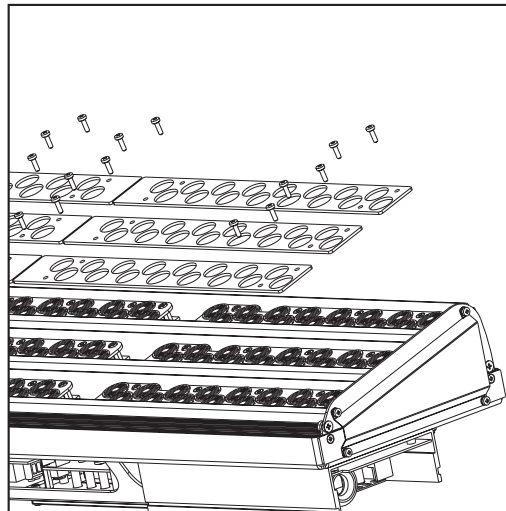
It is possible to mount optional lenses with different beam angle, instead of standard lenses, in order to get a different beam angle. The following images show how to do that. This operation must be done by qualified personnel.

-Remove the frame or the IP65 panel from the bottom of the fixture by unscrewing the 4 screws, then remove also the other 2 screws placed underneath in order to unlock the inner block.

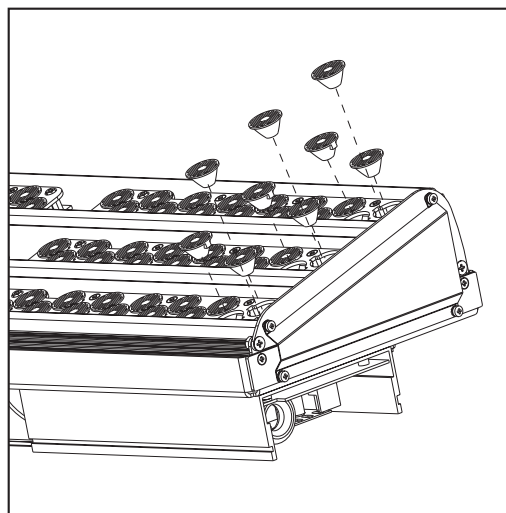


-Remove a side header from the fixture by the 7 screws and gently extract the inner block from the body. Be careful not to tear cables that can be caught in the body.





-Remove all the top screws needed to release the lens locking plates (each plate has four screws) .



-Gently extract the lenses grabbing them by their upper edges. Store them in a safe place free from dust, moisture and heat. Protect the lenses in a suitable wrapping. The lenses must be removed vertically, avoid to rotate or shift them during the operation: the leds can be seriously damaged !

-Gently insert the lenses, making sure to respect the position of the lens according to the reference notch. Do not push down the lenses because the leds can be seriously damaged !

WARNING!!

Insert the lenses gently observing the points of reference . A wrong insertion can seriously damage the leds.

-At the end of the procedure, assemble the fixture again proceeding backwards. We recommend to fix with care the pieces containing gaskets, in order to guarantee waterproof features.

5. Powering up

5.1. Operating voltage and frequency

The fixture may operate at voltages ranging from 90 to 250V AC at a frequency of 50 or 60 Hz.

It is not necessary to effect any setup procedures, Cyc Lite led will automatically adjust its operation to suit any frequency or voltage within this range.

5.2. Mains connection

Mains cable characteristics

The mains cable provided is thermally resistant, complying to the most recent international standards. It meets or exceeds VDE and IEC norms, IEC 331, IEC 332 3C, CEI 20 35.

NB: In case of cable replacement, similar cable with comparable thermal resistant qualities must be used exclusively (cable 3x1.5 ø external 10 mm, rated 300/500V, tested to 2KV, operating temperature -40° +180°, **Coemar** cod. CV5309).

Connection to mains power

Stage Lite Led is equipped with two power connectors, one as input and one as output, which can be used to connect more fixtures in series.

The maximum current absorbed from **Stage Lite Led** is indicated in the chart below:

- 230/240V 1 amps constant current in normal operation.
- 100/115V 2 amps constant current in normal operation.

The maximum working current of the connectors is **16A**.

ATTENTION!!

The absorption of the series of Stage Lite Led (Imax) can never be more than 16A.

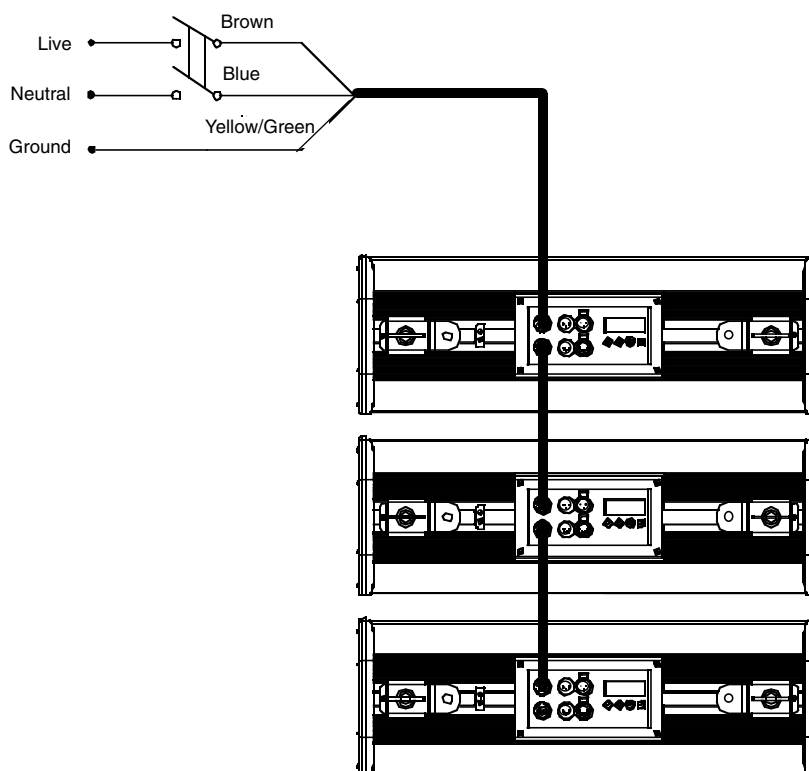
The maximum absorption I_{max} is given from the sum of the absorptions of all the **Stage Lite Led** connected in series.

Example:

For a series of 5 **Stage Lite Led** connected at 100V $I_{max} = 2 \times 5 = 10A$

For a series of 5 **Stage Lite Led** connected at 230V $I_{max} = 1 \times 5 = 5A$

In the following figure you can see an example of series connection:



ATTENTION!!

- The use of a thermal/magnetic circuit breaker is recommended. Strict adherence to regulatory norms is strongly recommended.
- **Stage Lite Led** should not be powered through a Dimmer as this may damage the internal switching powersupply.
- Prior to connecting the device to mains power, ensure that the mains characteristics are within the recommended range for use with the Stage Lite led.
- A good earth connection is essential for the correct operation of the Stage Lite Led. Never install the unit unless the yellow/green earth cable is securely connected.
- All cabling and connections should be carried out by suitably qualified personnel.

6. DMX signal functions

Stage Lite Led can operate in two modes:

1. using DMX512 control signal
2. automated "STAND ALONE" or "MASTER/SLAVE" modes" (see chapter 8.2. **MODE function**)

6.1. Connecting DMX signal

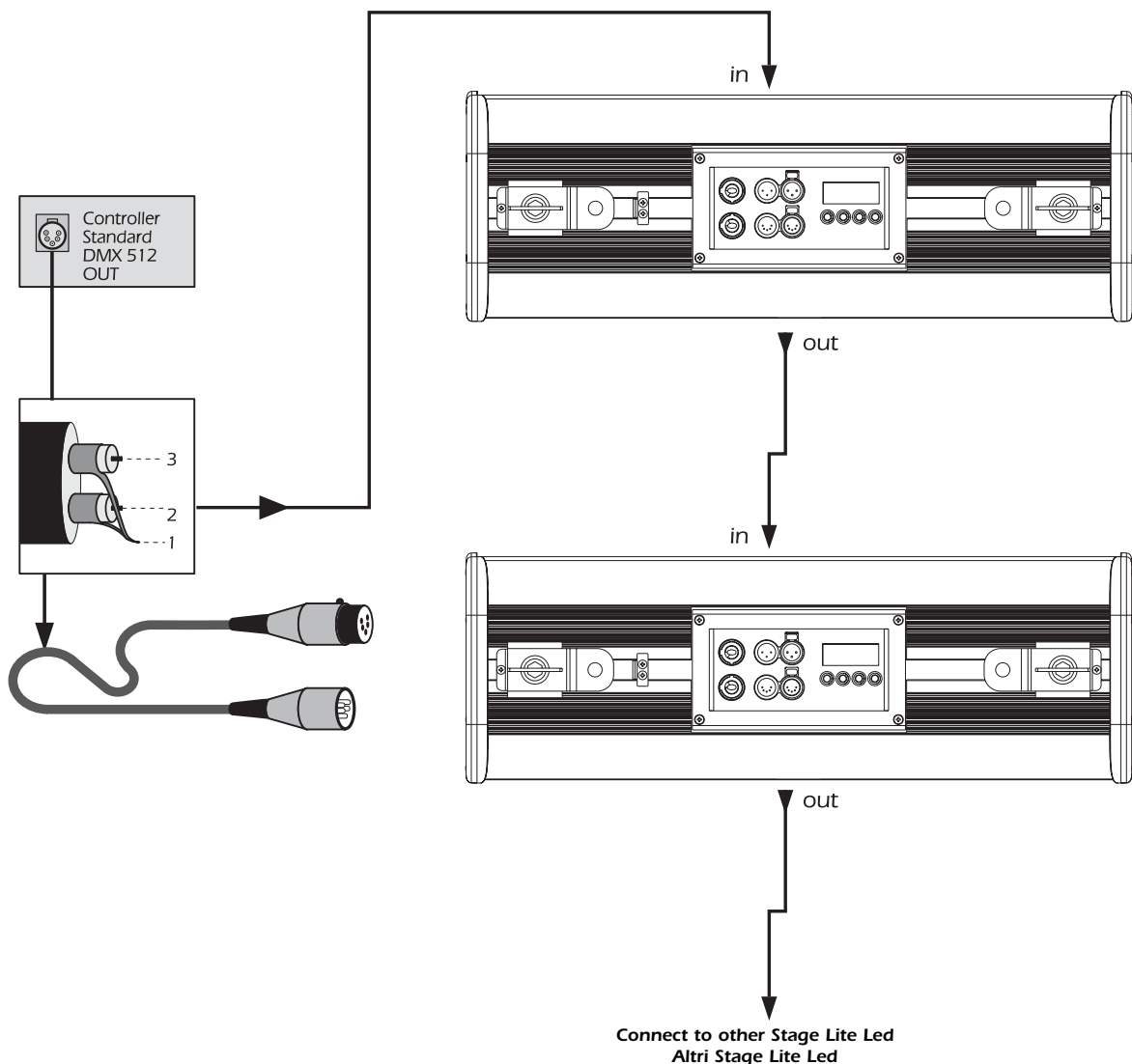
Control signal is digital and is transmitted via two pair screened cable, as recommended in international standards for the transmission of DMX512. Connection is serial, utilising the XLR3 and XLR5 sockets located on the rear panel of the **Stage Lite Led**.

Signal connection via the XLR3 and XLR5 connectors

Connection is to international standards. Connection is as indicated below:

- pin 1 = GND
- pin 2 = data -
- pin 3 = data +

Should your DMX 512 controller output signal via a cannon XLR5 (5 pin), pins 4 and 5 should remain unconnected.



ATTENTION!!

Ensure that all data conductors are isolated from one another, the screening and the metal housing of the connector. Pin number 1 and the housing should never be connected to mains power.

7. Turning up the projector

After having followed the preceding steps, turn on the projector.
The display will show in sequence the software version installed

For example, upon turning on power, the **Stage lite Led** may show:

M1.00 (software version installed on master board) then **S1.00** (software version installed on slave board).

The projector will perform a reset function on all the internal and external motors. This will last some few seconds, after which it will be subject to the external signal from the controller. The display will remain fixed on indicating correct **DMX 512** signal reception.
If the display flashed, there is no DMX signal being received. Check your cabling and your controller.

7.1. DMX addressing

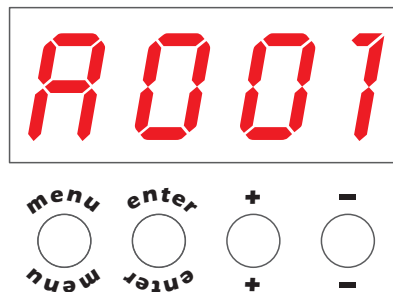
Each projector utilises **22** channels of **DMX 512** for complete control (for further information, see section **7.2. DMX functions**).

DMX addresses

To ensure that each projector accesses the correct signal, it is necessary to correctly address each fixture. This procedure must be carried out on every projector being used. When powered up initially, each projector will show **A001** which indicates **DMX address 001**; a projector thus addressed will respond to commands on channel **1** to **22** from your **DMX controller**. A second unit should be addressed as **A023**, a third as **A045** and so on until the final projector has been addressed.

Altering DMX addresses

1. Press the **+** or **-** buttons until the display shows the required **DMX** address. The characters in the display will flash to indicate that the selection is not yet stored in memory.
2. Press the **enter** button to confirm your selection. The display panel will cease to flash and the projector will now respond to the new **DMX 512** address.



Important Note: holding down the **+** or **-** buttons will cause the display to alter at an increased speed, allowing a faster selection to be made.

ATTENTION!!

If you alter the DMX with no DMX controller connected, the characters in the display panel will continue to flash even after you have pressed the ENTER button.

English

7.2. DMX functions Global (12 channels)

To set Stage Lite Led as Global 12 channel mode:

1. Press **menu** and **enter** to confirm.
2. Press **+ o** - until *FUNC* is visualized and confirm with **enter**.
3. Press **+ o** - until *COMP* is visualized and confirm with **enter**.
4. Press **+ o** - until *GLBL* is visualized and confirm with **enter**.

zones	channel	function	type of control	effect	decimal	percentage
	1	master dimmer	proportional	adjust luminous output intensity from 0 to 100%	0 - 255	0% - 100%
Global	2	red	proportional	proportional control of the percentage of red colour from 0 to 100%	0 - 255	0% - 100%
	3	green	proportional	proportional control of the percentage of green colour from 0 to 100%	0 - 255	0% - 100%
	4	blue	proportional	proportional control of the percentage of blue colour from 0 to 100%	0 - 255	0% - 100%
	5	white	proportional	proportional control of the percentage of white light from 0 to 100%	0 - 255	0% - 100%
6	strobe effect	step	noeffect		0 - 9	0% - 4%
		proportional	variable speed strobing effect, from slow to fast		10 - 57	4% - 22%
		step	stop strobe		58 - 59	23% - 23%
		proportional	sequenced pulse effect, slow closing, fast opening (variable speed pulsing, from slow to fast)		60 - 108	24% - 42%
		step	stop strobe		109 - 110	43% - 43%
		proportional	sequenced pulse effect, fast closing, slow opening (variable speed pulsing, from slow to fast)		111 - 159	44% - 62%
		step	stop strobe		160 - 161	63% - 63%
		proportional	random strobe effect with variable speed from slow to fast and synchronised colours		162 - 207	64% - 81%
		step	stop strobe		208 - 209	82% - 82%
proportional	random strobe effect with variable speed from slow to fast and non-synchronised colours		210 - 255	82% - 100%		
7	led line 1	proportional	proportional movement of lower led line in 180°	0 - 255	0% - 100%	
8	led line 2	proportional	proportional movement of central led line in 180°	0 - 255	0% - 100%	
9	led line 3	proportional	proportional movement of upper led line in 180°	0 - 255	0% - 100%	
10	automated functions and fade speed	proportional	noeffect		0 - 9	0% - 4%
			automated colors program 1; fade speed between colours from fast to slow (from 0,05 second to 1 minute)		10 - 40	4% - 16%
			automated colors program 2; fade speed between colours from fast to slow (from 0,05 second to 1 minute)		41 - 71	16% - 28%
			automated colors program 3; fade speed between colours from fast to slow (from 0,05 second to 1 minute)		72 - 102	28% - 40%
			automated colors program 4; fade speed between colours from fast to slow (from 0,05 second to 1 minute, colors selected from ch. 2 to ch. 5)		103 - 133	40% - 52%
			automated colors program 5; fade speed between colours from fast to slow (from 0,05 second to 1 minute, colors selected from ch. 2 to ch. 5)		134 - 164	53% - 64%
			automated colors program 6; fade speed between colours from fast to slow (from 0,05 second to 1 minute, colors selected from ch. 2 to ch. 5)		165 - 195	65% - 76%
			automated colors program 7; fade speed between colours from fast to slow (from 0,05 second to 1 minute, colors selected from ch. 2 to ch. 5)		196 - 225	77% - 88%
			automated colors program 8; fade speed between colours from fast to slow (from 0,05 second to 1 minute, colors selected from ch. 2 to ch. 5)		226 - 255	89% - 100%

11	effects movement	step	no effect	0 - 9	0% - 4%
			position 1	10 - 19	4% - 7%
			position 2	20 - 39	8% - 15%
			position 3	40 - 59	16% - 23%
			position 4	60 - 79	24% - 31%
			position 5	80 - 99	31% - 39%
		proportional	position 6	100 - 119	39% - 47%
			automated movement program 1 with proportional control over increasing speed	120 - 146	47% - 57%
			automated movement program 2 with proportional control over increasing speed	147 - 173	58% - 68%
			automated movement program 3 with proportional control over increasing speed	174 - 200	68% - 78%
			automated movement program 4 with proportional control over increasing speed	201 - 227	79% - 89%
automated movement program 5 with proportional control over increasing speed	228 - 255	89% - 100%			
12	motors reset and special functions	step	no effect	0 - 9	0% - 4%
		proportional	control of the pause time between colours (steps) of the program selected from channel 10; the pause time is adjustable proportionally from 1 second to 3.30 minutes	10 - 135	4% - 53%
		step	motors reset	136 - 170	53% - 67%
			park, no functions	171 - 179	67% - 70%
			led control frequency tuning 1000 Hz	180 - 188	71% - 74%
			led control frequency tuning 1500 Hz	189 - 197	74% - 77%
			led control frequency tuning 2000 Hz	198 - 206	78% - 81%
			led control frequency tuning 2500 Hz	207 - 215	81% - 84%
			led control frequency tuning 3000 Hz	216 - 224	85% - 88%
			led control frequency tuning 3500 Hz	225 - 233	88% - 91%
			led control frequency tuning 4000 Hz	234 - 242	92% - 95%
			led control frequency tuning 4500 Hz	243 - 251	95% - 98%
			led control frequency tuning 5000 Hz	252 - 255	99% - 100%
			Projector: StageLite Led (Global)		
Table number: 290		Edition: 1	Date: 20/02/2009		

7.3 DMX functions Zone (16 channels)

To set Stage Lite Led as Zone 16 channel mode:

1. Press **menu** and **enter** to confirm.
2. Press **+ o** - until *FUNC* is visualized and confirm with **enter**.
3. Press **+ o** - until *COMP* is visualized and confirm with **enter**.
4. Press **+ o** - until *ZONE* is visualized and confirm with **enter**.

zones	channel	function	type of control	effect	decimal	percentage
	1	master dimmer	proportional	adjust luminous output intensity from 0 to 100%	0 - 255	0% - 100%
Zone 1	2	red	proportional	proportional control of the percentage of red colour from 0 to 100%	0 - 255	0% - 100%
	3	green	proportional	proportional control of the percentage of green colour from 0 to 100%	0 - 255	0% - 100%
	4	blue	proportional	proportional control of the percentage of blue colour from 0 to 100%	0 - 255	0% - 100%
	5	white	proportional	proportional control of the percentage of white light from 0 to 100%	0 - 255	0% - 100%
Zone 2	6	red	proportional	proportional control of the percentage of red colour from 0 to 100%	0 - 255	0% - 100%
	7	green	proportional	proportional control of the percentage of green colour from 0 to 100%	0 - 255	0% - 100%
	8	blue	proportional	proportional control of the percentage of blue colour from 0 to 100%	0 - 255	0% - 100%
	9	white	proportional	proportional control of the percentage of white light from 0 to 100%	0 - 255	0% - 100%
10	strobe effect	step	no effect	0 - 9	0% - 4%	
		proportional	variable speed strobing effect, from slow to fast	10 - 57	4% - 22%	
		step	stop strobe	58 - 59	23% - 23%	
		proportional	sequenced pulse effect, slow closing, fast opening (variable speed pulsing, from slow to fast)	60 - 108	24% - 42%	
		step	stop strobe	109 - 110	43% - 43%	
		proportional	sequenced pulse effect, fast closing, slow opening (variable speed pulsing, from slow to fast)	111 - 159	44% - 62%	
		step	stop strobe	160 - 161	63% - 63%	
		proportional	random strobe effect with variable speed from slow to fast and synchronised colours	162 - 207	64% - 81%	
step	stop strobe	208 - 209	82% - 82%			
proportional	random strobe effect with variable speed from slow to fast and non-synchronised colours	210 - 255	82% - 100%			
11	led line 1	proportional	proportional movement of lower led line in 180°	0 - 255	0% - 100%	
12	led line 2	proportional	proportional movement of central led line in 180°	0 - 255	0% - 100%	
13	led line 3	proportional	proportional movement of upper led line in 180°	0 - 255	0% - 100%	
14	automated functions and fade speed	proportional	no effect	0 - 9	0% - 4%	
			automated colors program 1; fade speed between colours from fast to slow (from 0,05 second to 1 minute)	10 - 40	4% - 16%	
			automated colors program 2; fade speed between colours from fast to slow (from 0,05 second to 1 minute)	41 - 71	16% - 28%	
			automated colors program 3; fade speed between colours from fast to slow (from 0,05 second to 1 minute)	72 - 102	28% - 40%	
			automated colors program 4; fade speed between colours from fast to slow (from 0,05 second to 1 minute, colors selected from ch. 2 to ch. 9)	103 - 133	40% - 52%	
			automated colors program 5; fade speed between colours from fast to slow (from 0,05 second to 1 minute, colors selected from ch. 2 to ch. 9)	134 - 164	53% - 64%	
			automated colors program 6; fade speed between colours from fast to slow (from 0,05 second to 1 minute, colors selected from ch. 2 to ch. 9)	165 - 195	65% - 76%	
			automated colors program 7; fade speed between colours from fast to slow (from 0,05 second to 1 minute, colors selected from ch. 2 to ch. 9)	196 - 225	77% - 88%	
			automated colors program 8; fade speed between colours from fast to slow (from 0,05 second to 1 minute, colors selected from ch. 2 to ch. 9)	226 - 255	89% - 100%	

14	automated functions and fade speed	proportional	noeffect	0	-	9	0%	-	4%
			automated colors program 1; fade speed between colours from fast to slow (from 0,05 second to 1 minute)	10	-	40	4%	-	16%
			automated colors program 2; fade speed between colours from fast to slow (from 0,05 second to 1 minute)	41	-	71	16%	-	28%
			automated colors program 3; fade speed between colours from fast to slow (from 0,05 second to 1 minute)	72	-	102	28%	-	40%
			automated colors program 4; fade speed between colours from fast to slow (from 0,05 second to 1 minute, colors selected from ch. 2 to ch. 9)	103	-	133	40%	-	52%
			automated colors program 5; fade speed between colours from fast to slow (from 0,05 second to 1 minute, colors selected from ch. 2 to ch. 9)	134	-	164	53%	-	64%
			automated colors program 6; fade speed between colours from fast to slow (from 0,05 second to 1 minute, colors selected from ch. 2 to ch. 9)	165	-	195	65%	-	76%
			automated colors program 7; fade speed between colours from fast to slow (from 0,05 second to 1 minute, colors selected from ch. 2 to ch. 9)	196	-	225	77%	-	88%
			automated colors program 8; fade speed between colours from fast to slow (from 0,05 second to 1 minute, colors selected from ch. 2 to ch. 9)	226	-	255	89%	-	100%
15	effects movement	step	noeffect	0	-	9	0%	-	4%
			position 1	10	-	19	4%	-	7%
			position 2	20	-	39	8%	-	15%
			position 3	40	-	59	16%	-	23%
			position 4	60	-	79	24%	-	31%
			position 5	80	-	99	31%	-	39%
		proportional	position 6	100	-	119	39%	-	47%
			automated movement program 1 with proportional control over increasing speed	120	-	146	47%	-	57%
			automated movement program 2 with proportional control over increasing speed	147	-	173	58%	-	68%
			automated movement program 3 with proportional control over increasing speed	174	-	200	68%	-	78%
			automated movement program 4 with proportional control over increasing speed	201	-	227	79%	-	89%
automated movement program 5 with proportional control over increasing speed	228	-	255	89%	-	100%			
16	motors reset and special functions	step	noeffect	0	-	9	0%	-	4%
		proportional	control of the pause time between colours (steps) of the program selected from channel 14; the pause time is adjustable proportionally from 1 second to 3.30 minutes	10	-	135	4%	-	53%
			motors reset	136	-	170	53%	-	67%
		step	park, no functions	171	-	179	67%	-	70%
			led control frequency tuning 1000 Hz	180	-	188	71%	-	74%
			led control frequency tuning 1500 Hz	189	-	197	74%	-	77%
			led control frequency tuning 2000 Hz	198	-	206	78%	-	81%
			led control frequency tuning 2500 Hz	207	-	215	81%	-	84%
			led control frequency tuning 3000 Hz	216	-	224	85%	-	88%
			led control frequency tuning 3500 Hz	225	-	233	88%	-	91%
			led control frequency tuning 4000 Hz	234	-	242	92%	-	95%
			led control frequency tuning 4500 Hz	243	-	251	95%	-	98%
			led control frequency tuning 5000 Hz	252	-	255	99%	-	100%
Projector: StageLite Led (Zone)			Table name: DMX 512 functions						
Table number: 290		Edition: 1	Date: 20/02/2009						

7.4 DMX functions Line (20 channels)

To set Stage Lite Led as Line 20 channel mode:

1. Press **menu** and **enter** to confirm.
2. Press **+ o -** until *FUNC* is visualized and confirm with **enter**.
3. Press **+ o -** until *COMP* is visualized and confirm with **enter**.
4. Press **+ o -** until *LINE* is visualized and confirm with **enter**.

zones	channel	function	type of control	effect	decimal	percentage
	1	master dimmer	proportional	adjust luminous output intensity from 0 to 100%	0 - 255	0% - 100%
Line 1	2	red	proportional	proportional control of the percentage of red colour from 0 to 100%	0 - 255	0% - 100%
	3	green	proportional	proportional control of the percentage of green colour from 0 to 100%	0 - 255	0% - 100%
	4	blue	proportional	proportional control of the percentage of blue colour from 0 to 100%	0 - 255	0% - 100%
	5	white	proportional	proportional control of the percentage of white light from 0 to 100%	0 - 255	0% - 100%
Line 2	6	red	proportional	proportional control of the percentage of red colour from 0 to 100%	0 - 255	0% - 100%
	7	green	proportional	proportional control of the percentage of green colour from 0 to 100%	0 - 255	0% - 100%
	8	blue	proportional	proportional control of the percentage of blue colour from 0 to 100%	0 - 255	0% - 100%
	9	white	proportional	proportional control of the percentage of white light from 0 to 100%	0 - 255	0% - 100%
Line 3	10	red	proportional	proportional control of the percentage of red colour from 0 to 100%	0 - 255	0% - 100%
	11	green	proportional	proportional control of the percentage of green colour from 0 to 100%	0 - 255	0% - 100%
	12	blue	proportional	proportional control of the percentage of blue colour from 0 to 100%	0 - 255	0% - 100%
	13	white	proportional	proportional control of the percentage of white light from 0 to 100%	0 - 255	0% - 100%
14	strobe effect	step	no effect	0 - 9	0% - 4%	
		proportional	variable speed strobing effect, from slow to fast	10 - 57	4% - 22%	
		step	stop strobe	58 - 59	23% - 23%	
		proportional	sequenced pulse effect, slow closing, fast opening (variable speed pulsing, from slow to fast)	60 - 108	24% - 42%	
		step	stop strobe	109 - 110	43% - 43%	
		proportional	sequenced pulse effect, fast closing, slow opening (variable speed pulsing, from slow to fast)	111 - 159	44% - 62%	
		step	stop strobe	160 - 161	63% - 63%	
		proportional	random strobe effect with variable speed from slow to fast and synchronised colours	162 - 207	64% - 81%	
		step	stop strobe	208 - 209	82% - 82%	
proportional	random strobe effect with variable speed from slow to fast and non-synchronised colours	210 - 255	82% - 100%			
15	led line 1	proportional	proportional movement of lower led line in 180°	0 - 255	0% - 100%	
16	led line 2	proportional	proportional movement of central led line in 180°	0 - 255	0% - 100%	
17	led line 3	proportional	proportional movement of upper led line in 180°	0 - 255	0% - 100%	

18	automated functions and fade speed	proportional	no effect	0	-	9	0%	-	4%
			automated colors program 1; fade speed between colours from fast to slow (from 0,05 second to 1 minute)	10	-	40	4%	-	16%
			automated colors program 2; fade speed between colours from fast to slow (from 0,05 second to 1 minute)	41	-	71	16%	-	28%
			automated colors program 3; fade speed between colours from fast to slow (from 0,05 second to 1 minute)	72	-	102	28%	-	40%
			automated colors program 4; fade speed between colours from fast to slow (from 0,05 second to 1 minute, colors selected from ch. 2 to ch. 13)	103	-	133	40%	-	52%
			automated colors program 5; fade speed between colours from fast to slow (from 0,05 second to 1 minute, colors selected from ch. 2 to ch. 13)	134	-	164	53%	-	64%
			automated colors program 6; fade speed between colours from fast to slow (from 0,05 second to 1 minute, colors selected from ch. 2 to ch. 13)	165	-	195	65%	-	76%
			automated colors program 7; fade speed between colours from fast to slow (from 0,05 second to 1 minute, colors selected from ch. 2 to ch. 13)	196	-	225	77%	-	88%
			automated colors program 8; fade speed between colours from fast to slow (from 0,05 second to 1 minute, colors selected from ch. 2 to ch. 13)	226	-	255	89%	-	100%
19	effects movement	step	no effect	0	-	9	0%	-	4%
			position 1	10	-	19	4%	-	7%
			position 2	20	-	39	8%	-	15%
			position 3	40	-	59	16%	-	23%
			position 4	60	-	79	24%	-	31%
			position 5	80	-	99	31%	-	39%
		proportional	position 6	100	-	119	39%	-	47%
			automated movement program 1 with proportional control over increasing speed	120	-	146	47%	-	57%
			automated movement program 2 with proportional control over increasing speed	147	-	173	58%	-	68%
			automated movement program 3 with proportional control over increasing speed	174	-	200	68%	-	78%
			automated movement program 4 with proportional control over increasing speed	201	-	227	79%	-	89%
automated movement program 5 with proportional control over increasing speed	228	-	255	89%	-	100%			
20	motors reset and special functions	step	no effect	0	-	9	0%	-	4%
		proportional	control of the pause time between colours (steps) of the program selected from channel 18; the pause time is adjustable proportionally from 1 second to 3.30 minutes	10	-	135	4%	-	53%
			motors reset	136	-	170	53%	-	67%
		step	park, no functions	171	-	179	67%	-	70%
			led control frequency tuning 1000 Hz	180	-	188	71%	-	74%
			led control frequency tuning 1500 Hz	189	-	197	74%	-	77%
			led control frequency tuning 2000 Hz	198	-	206	78%	-	81%
			led control frequency tuning 2500 Hz	207	-	215	81%	-	84%
			led control frequency tuning 3000 Hz	216	-	224	85%	-	88%
			led control frequency tuning 3500 Hz	225	-	233	88%	-	91%
			led control frequency tuning 4000 Hz	234	-	242	92%	-	95%
			led control frequency tuning 4500 Hz	243	-	251	95%	-	98%
			led control frequency tuning 5000 Hz	252	-	255	99%	-	100%
Projector: StageLite Led (Line)			Table name: DMX 512 functions						
Table number: 290		Edition: 1	Date: 20/02/2009						

7.5 DMX functions Frame (32 channels)

To set Stage Lite Led as Frame 32 channel mode:

1. Press **menu** and **enter** to confirm.
2. Press **+ o -** until *FUNC* is visualized and confirm with **enter**.
3. Press **+ o -** until *COMP* is visualized and confirm with **enter**.
4. Press **+ o -** until *FRME* is visualized and confirm with **enter**.

zones	channel	function	type of control	effect	decimal	percentage
	1	master dimmer	proportional	adjust luminous output intensity from 0 to 100%	0 - 255	0% - 100%
F-frame 1	2	red	proportional	proportional control of the percentage of red colour from 0 to 100%	0 - 255	0% - 100%
	3	green	proportional	proportional control of the percentage of green colour from 0 to 100%	0 - 255	0% - 100%
	4	blue	proportional	proportional control of the percentage of blue colour from 0 to 100%	0 - 255	0% - 100%
	5	white	proportional	proportional control of the percentage of white light from 0 to 100%	0 - 255	0% - 100%
F-frame 2	6	red	proportional	proportional control of the percentage of red colour from 0 to 100%	0 - 255	0% - 100%
	7	green	proportional	proportional control of the percentage of green colour from 0 to 100%	0 - 255	0% - 100%
	8	blue	proportional	proportional control of the percentage of blue colour from 0 to 100%	0 - 255	0% - 100%
	9	white	proportional	proportional control of the percentage of white light from 0 to 100%	0 - 255	0% - 100%
F-frame 3	10	red	proportional	proportional control of the percentage of red colour from 0 to 100%	0 - 255	0% - 100%
	11	green	proportional	proportional control of the percentage of green colour from 0 to 100%	0 - 255	0% - 100%
	12	blue	proportional	proportional control of the percentage of blue colour from 0 to 100%	0 - 255	0% - 100%
	13	white	proportional	proportional control of the percentage of white light from 0 to 100%	0 - 255	0% - 100%
F-frame 4	14	red	proportional	proportional control of the percentage of red colour from 0 to 100%	0 - 255	0% - 100%
	15	green	proportional	proportional control of the percentage of green colour from 0 to 100%	0 - 255	0% - 100%
	16	blue	proportional	proportional control of the percentage of blue colour from 0 to 100%	0 - 255	0% - 100%
	17	white	proportional	proportional control of the percentage of white light from 0 to 100%	0 - 255	0% - 100%
F-frame 5	18	red	proportional	proportional control of the percentage of red colour from 0 to 100%	0 - 255	0% - 100%
	19	green	proportional	proportional control of the percentage of green colour from 0 to 100%	0 - 255	0% - 100%
	20	blue	proportional	proportional control of the percentage of blue colour from 0 to 100%	0 - 255	0% - 100%
	21	white	proportional	proportional control of the percentage of white light from 0 to 100%	0 - 255	0% - 100%
F-frame 6	22	red	proportional	proportional control of the percentage of red colour from 0 to 100%	0 - 255	0% - 100%
	23	green	proportional	proportional control of the percentage of green colour from 0 to 100%	0 - 255	0% - 100%
	24	blue	proportional	proportional control of the percentage of blue colour from 0 to 100%	0 - 255	0% - 100%
	25	white	proportional	proportional control of the percentage of white light from 0 to 100%	0 - 255	0% - 100%


26	strobe effect	step	no effect	0	-	9	0%	-	4%			
		proportional	variable speed strobing effect, from slow to fast	10	-	57	4%	-	22%			
		step	stop strobe	58	-	59	23%	-	23%			
		proportional	sequenced pulse effect, slow closing, fast opening (variable speed pulsing, from slow to fast)	60	-	108	24%	-	42%			
		step	stop strobe	109	-	110	43%	-	43%			
		proportional	sequenced pulse effect, fast closing, slow opening (variable speed pulsing, from slow to fast)	111	-	159	44%	-	62%			
		step	stop strobe	160	-	161	63%	-	63%			
		proportional	random strobe effect with variable speed from slow to fast and synchronised colours	162	-	207	64%	-	81%			
		step	stop strobe	208	-	209	82%	-	82%			
proportional	random strobe effect with variable speed from slow to fast and non-synchronised colours	210	-	255	82%	-	100%					
27	led line 1	proportional	proportional movement of lower led line in 180°	0	-	255	0%	-	100%			
28	led line 2	proportional	proportional movement of central led line in 180°	0	-	255	0%	-	100%			
29	led line 3	proportional	proportional movement of upper led line in 180°	0	-	255	0%	-	100%			
30	automated functions and fade speed	proportional	no effect	0	-	9	0%	-	4%			
			automated colors program 1; fade speed between colours from fast to slow (from 0,05 second to 1 minute)	10	-	40	4%	-	16%			
			automated colors program 2; fade speed between colours from fast to slow (from 0,05 second to 1 minute)	41	-	71	16%	-	28%			
			automated colors program 3; fade speed between colours from fast to slow (from 0,05 second to 1 minute)	72	-	102	28%	-	40%			
			automated colors program 4; fade speed between colours from fast to slow (from 0,05 second to 1 minute, colors selected from ch. 2 to ch. 25)	103	-	133	40%	-	52%			
			automated colors program 5; fade speed between colours from fast to slow (from 0,05 second to 1 minute, colors selected from ch. 2 to ch. 25)	134	-	164	53%	-	64%			
			automated colors program 6; fade speed between colours from fast to slow (from 0,05 second to 1 minute, colors selected from ch. 2 to ch. 25)	165	-	195	65%	-	76%			
			automated colors program 7; fade speed between colours from fast to slow (from 0,05 second to 1 minute, colors selected from ch. 2 to ch. 25)	196	-	225	77%	-	88%			
			automated colors program 8; fade speed between colours from fast to slow (from 0,05 second to 1 minute, colors selected from ch. 2 to ch. 25)	226	-	255	89%	-	100%			
31	effects movement	step	no effect	0	-	9	0%	-	4%			
			position 1	10	-	19	4%	-	7%			
			position 2	20	-	39	8%	-	15%			
			position 3	40	-	59	16%	-	23%			
			position 4	60	-	79	24%	-	31%			
			position 5	80	-	99	31%	-	39%			
			position 6	100	-	119	39%	-	47%			
		proportional	automated movement program 1 with proportional control over increasing speed	120	-	146	47%	-	57%			
			automated movement program 2 with proportional control over increasing speed	147	-	173	58%	-	68%			
			automated movement program 3 with proportional control over increasing speed	174	-	200	68%	-	78%			
			automated movement program 4 with proportional control over increasing speed	201	-	227	79%	-	89%			
			automated movement program 5 with proportional control over increasing speed	228	-	255	89%	-	100%			
			32	motors reset and special functions	step	no effect	0	-	9	0%	-	4%
					proportional	control of the pause time between colours (steps) of the program selected from channel 30; the pause time is adjustable proportionally from 1 second to 3.30 minutes	10	-	135	4%	-	53%
					step	motors reset	136	-	170	53%	-	67%
park, no functions	171	-				179	67%	-	70%			
led control frequency tuning 1000 Hz	180	-				188	71%	-	74%			
led control frequency tuning 1500 Hz	189	-				197	74%	-	77%			
led control frequency tuning 2000 Hz	198	-				206	78%	-	81%			
led control frequency tuning 2500 Hz	207	-				215	81%	-	84%			
led control frequency tuning 3000 Hz	216	-				224	85%	-	88%			
led control frequency tuning 3500 Hz	225	-	233	88%		-	91%					
led control frequency tuning 4000 Hz	234	-	242	92%		-	95%					
led control frequency tuning 4500 Hz	243	-	251	95%	-	98%						
led control frequency tuning 5000 Hz	252	-	255	99%	-	100%						

Projector: StageLite Led (Frame)		Table name: DMX 512 functions	
Table number: 290	Edition: 1	Date: 20/02/2009	

8. Display panel functions

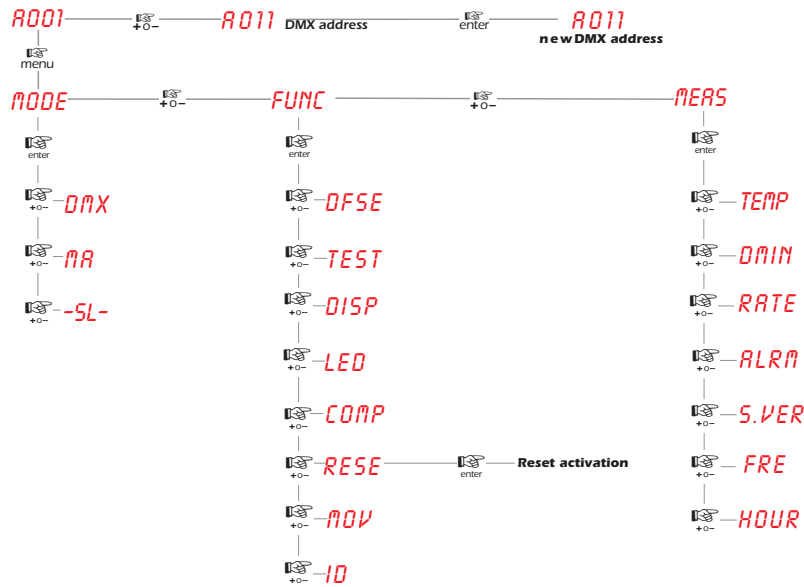
The display panel of the **Stage Lite Led** shows all the functions available; it is possible to change some of those parameters and to add some functions.

Changing the preset settings made by **Coemar** can vary the functions of the device so that it may not respond to a **DMX 512** controller being used to control it. Carefully follow the instructions before applying any variations or selections.

NOTE: the symbol  shows which key has to be pushed to obtain the desired function .

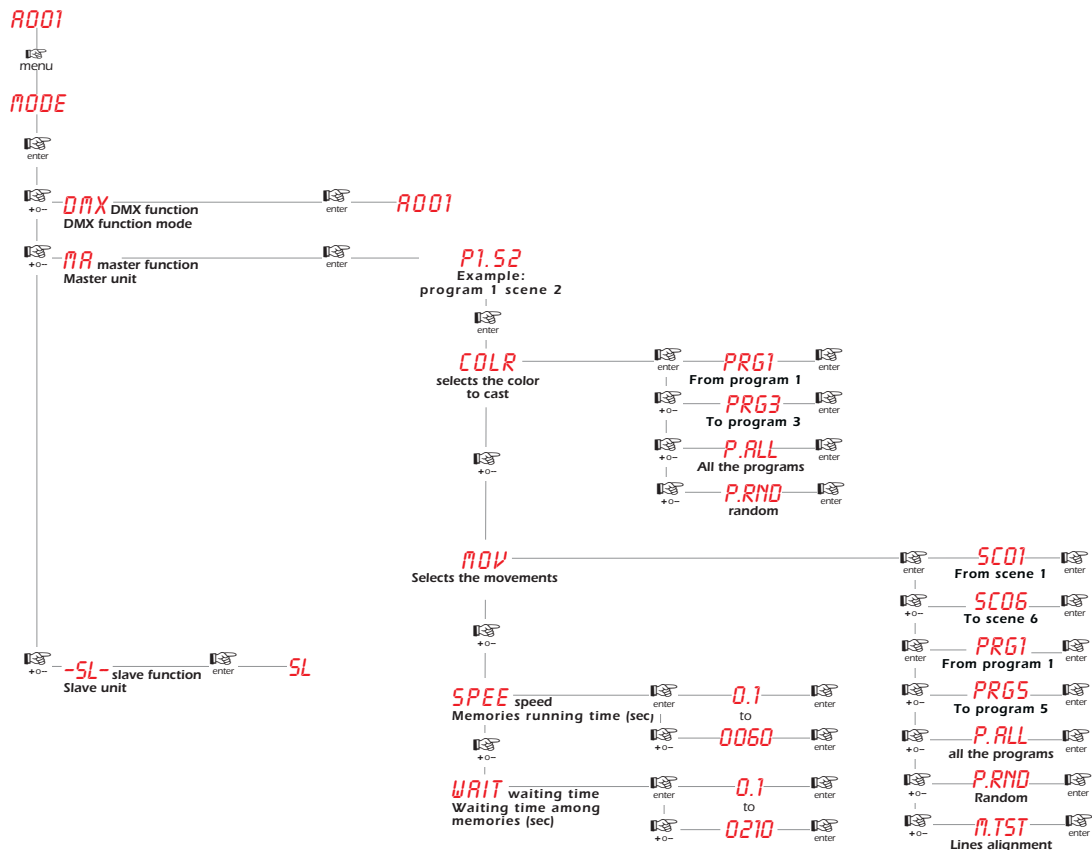
8.1. Quick guide to menu navigation

For your convenience, the following is a guide to navigating the menu system of the projector.



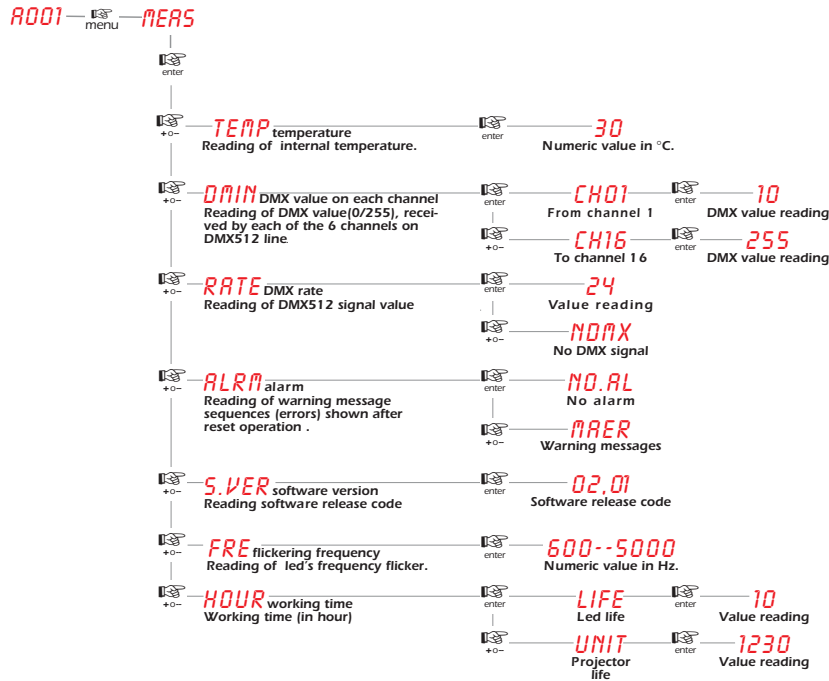
8.2. Mode settings (MODE)

Permits to set **Stage lite led** to be controlled by DMX signal or behave as master or slave unit.



8.3. Measure and test (MEAS)

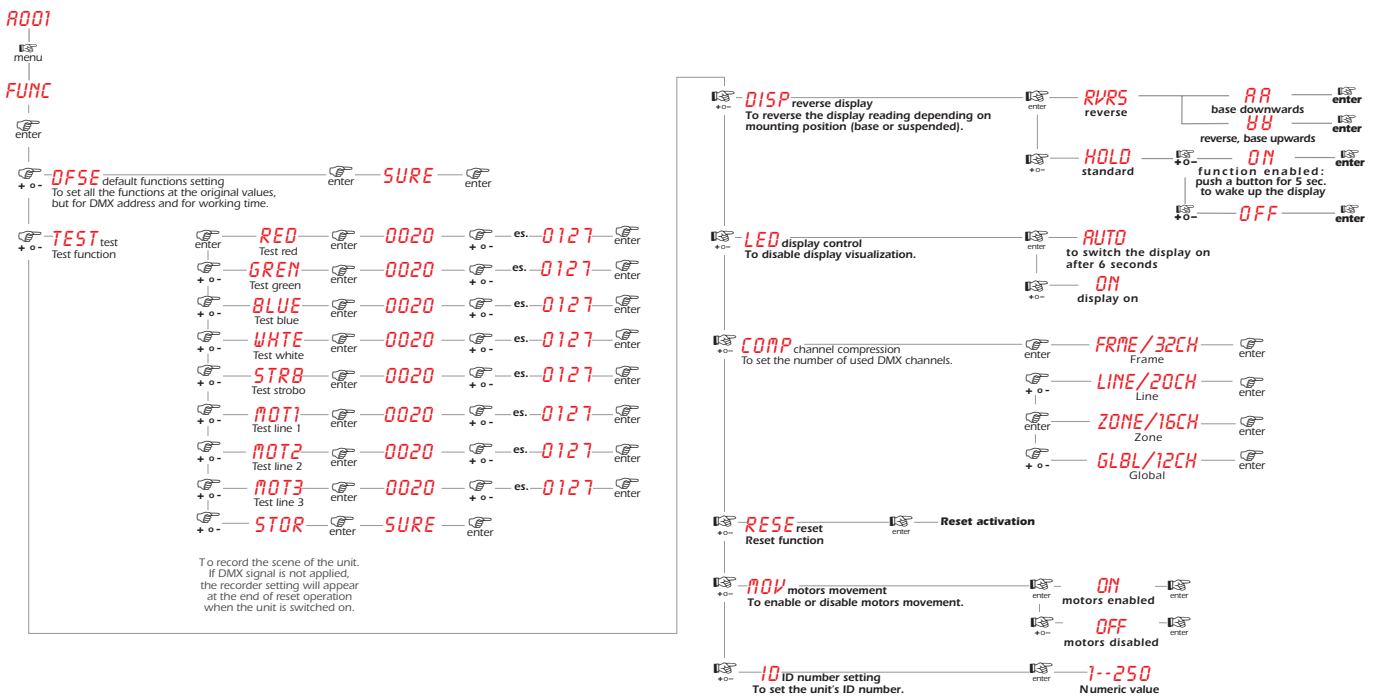
The internal microprocessor of **Stage lite led** allows for several diagnostic and output parameters to be displayed.



8.4. Function settings (FUNC)

The projector allows the altering of several functions and for selecting personalised settings.

You may record, in this menu, determine the position in which the projector will come to rest when turned on with no dmX signal attached.



To record the scene of the unit. If DMX signal is not applied, the recorder setting will appear at the end of reset operation when the unit is switched on.

English

8.5. Rapid scrolling

Via the **Stage Lite Led** display it is possible to rapidly scroll through the various numbers displayed in the menu in the following manner:

1. Pressing the **+** or **-** buttons will cause the number to scroll more quickly.
2. Pressing and holding the **+** button and then the **-** button will cause the numbers to jump to the highest value.
3. Pressing and holding the **-** button and then the **+** button will cause the numbers to jump to the lowest value.

8.6. Connecting the DR1

All the functions available via the display menu are also available via the **DR1** (cod. **9703**).

The **DR1** is a remote device designed for technical users who need to perform tasks on the projectors whilst they may be located in inaccessible positions. It acts as a remote control.

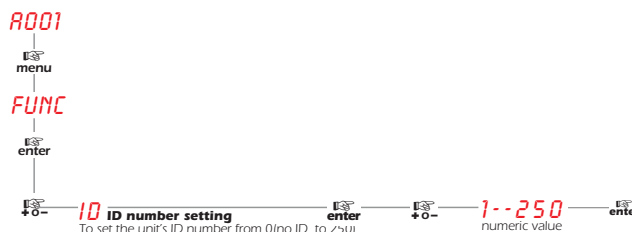
For example, the **DR1** eliminates the need for climbing up truss structures to gain direct physical access to the projector to alter such parameters as **DMX** address, reading outputs such as lamp life as well as all other functions available via the digital display unit on the projector.

In order to utilise the **DR1** remote device, you must first activate the identifying number of the projector **ID**, which must be unique in the particular DMX universe in which it is currently installed.

The method for setting an identification number **ID** is shown below.

ATTENTION!!

- If you set a projectors identification number to "0" it will not be able to communicate with the DR1.
- Never assign the same ID to two or more projectors. This may jeopardise the functioning of the entire system. (The DR1 will show an error message).



For further information, consult the **DR1** instruction manual.

8.7. Electronic leds and motor alignment

The display panel of the **Stage Lite Led** allows for the electronic alignment of the projector's motors and leds. This procedure is performed by **Coemar** at the factory. It may be useful to perform this procedure in the case of internal components being replaced.

Altering the factory settings may radically alter the functioning of the projector. Carefully read all of the following prior to attempting any changes.

ATTENTION!!

This procedure should only be undertaken by qualified and experienced technical personnel.

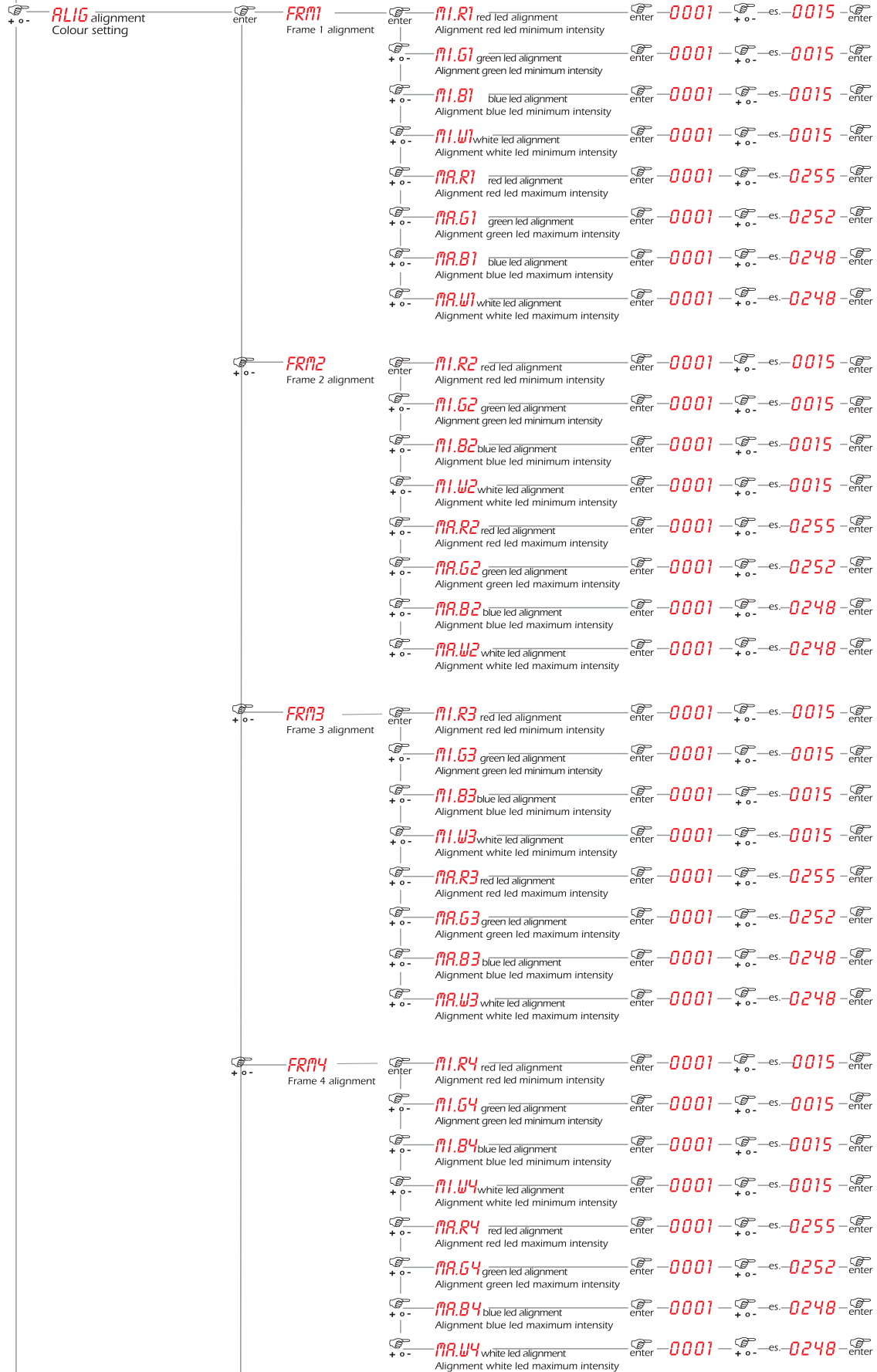
1. Press the **menu** button and then **enter** to confirm.
2. Press the **+** or **-** button until **FUNC** is displayed. Then press **enter**.
3. Press the **+** or **-** button until **RESE** is displayed.
4. Press the **enter** and **menu** buttons simultaneously, holding them for at least **10"**. The motors will perform a reset and the display will show **-- --** for a few seconds. After this, the display will show **ALIG** confirming that you have entered electronic calibration mode.

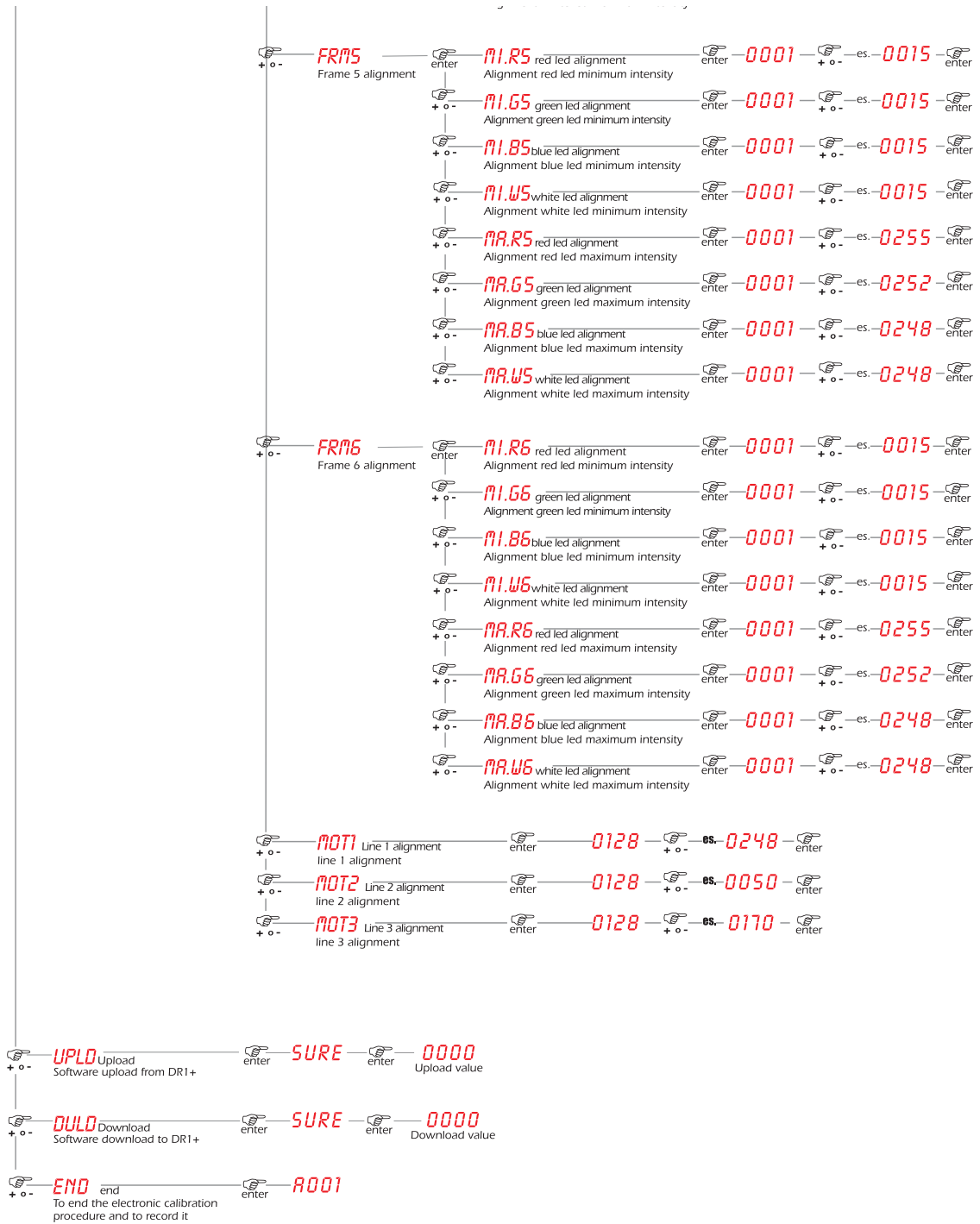
ATTENTION!!

The alignment procedure can only be carried out when DMX 512 signal is connected.

RESE reset
reset function

With DMX signal push both
enter and menu buttons for 10 seconds:
The display will show this menu





Note: Simultaneously pressing the + and - buttons will return the calibration value to 128 (default).

UPLD function: this function allows to upgrade the software of **Stage Lite Led** only by **DR1** and a PC with dedicated application. Read **DR1** instruction manual for further information.

DULD function: this function allows to download the software from **Stage Lite Led** to **DR1**. Read **DR1** instruction manual for further information.

8.8. Error messages

MESSAGE CODE	DESCRIPTION
<i>DTER</i>	DATA Error The initial configuration settings are faulty or have been loaded incorrectly. The projector has loaded its default configuration. Turn the projector off and on again and if the error persists the EEPROM is either defective or absent; refer to your Coemar service centre for a replacement component.
<i>ADER</i>	DMX ADDRESS Error The projector is not receiving all the DMX channels necessary for its operation. Check the DMX address and the control console operation. Note that some controllers may not generate all 512 channels of signal.
<i>MRER</i>	MASTER MODE Error This message indicates that the user has attempted to set the unit to MASTER mode whilst DMX signal is still being received. Detach any DMX control signal or remove MASTER mode settings.

9. Spare parts

All the components of **Stage lite led** are available as spare parts from your **Coemar**. Accurate description of the fixture, model number, and type will assist us in providing for your requirements in an efficient and effective manner..

10. Maintenance

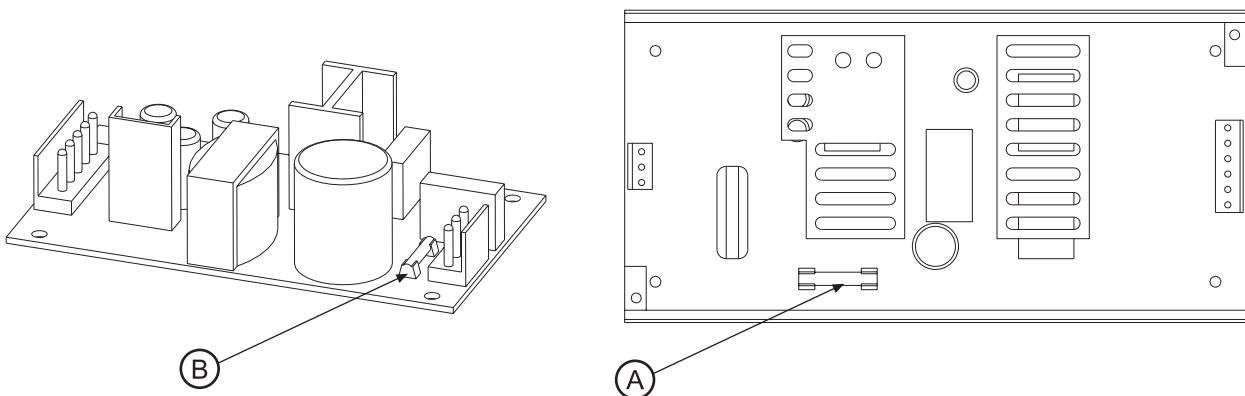
Whilst every possible precaution has been taken to ensure the trouble-free operation of your **Stage Lite Led**, the following periodic maintenance is highly recommended. We also recommend that the voltage to the unit be removed prior to any maintenance procedure taking place..

ATTENTION!!

always remove mains power prior to opening the fixture !

10.1. Fuse replacement

Use a multimeter to check the fuse, replacing any faulty or damaged fuses with ones of equal value, dimensions and characteristics. The following diagram indicates the positioning and characteristics of the protection fuse in the fixture.



Fuse A: 6,3A F 250V

Fuse B: 2,5A F 250V

English

10.2. Periodic maintenance

Mechanicals

Check that the units is not mechanically damaged. Regularly clean the glass by using a soft cloth with a specific cleaning liquid and, if necessary, replace the damaged parts.

Electrical components

Check all electrical components for correct earthing, oxidation and proper attachment of all connectors, cleaning and refastening if necessary.

11. Frequently asked questions

Problem	Possible solution
Stage Lite Led won't turn on.	Mains power is not available to the Stage Lite Led : - Check that the green Led is on, if so check the incoming voltage to the Stage Lite Led . - Check the main pcb fuse and that of the switching powersupply.
Stage Lite Led doesn't respond to DMX signal	Incoming DMX may not be being received by the Stage Lite Led : - check that the led indicating DMX input is flashing. If not, check the DMX console's output and any cabling for continuity. - Check the dip-switch panel to ensure that no functions are selected which inhibit DMX control . - Stage Lite Led may be incorrectly addressed. Check the DMX addressing.
The Stage Lite Led is set to auto but is not running any programs	In addition to setting the AUTO dip-switch to on, it is necessary to also select a program number (see section 8.2 MODE function). - Multiple programs have been selected - only one program at a time may be selected. - Check that amongst the interconnected fixtures, only one has been set to Master. - Ensure that there is no incoming DMX signal (this may cause a conflict in signals).



Coemar s.p.a.

via Inghilterra 2/A - 46042 Castel Goffredo (Mantova) Italy
ph. +39 0376/77521 - fax +39 0376/780657
info@coemar.com

Coemar si riserva il diritto di apportare modifiche senza preavviso.
Coemar reserves the right to effect modifications without notification