



P-2

RGBW LED Wash Light



Description

The P-2 is a bright and powerful RGBW wash light, designed with lightweight and compact construction. Maintaining the SGM design philosophy, the P-2 shares some of the key features of the P-5, like color calibration, interchangeable lenses, smooth seamless beam projection, low power consumption, and DMX (with RDM) addressing. The P-2 further offers the benefits of three-segment pixel mapping control. Because of its efficiency, small size, and easy rigging options, the P-2 is a must-have wash for any rental company, touring production, corporate event, or temporary installation.

Features and benefits

- ✓ High-performance IP65 RGBW LED light source
- ✓ 3 individually controllable segments
- ✓ CTC control
- ✓ Practically maintenance-free
- ✓ 43°, 21° and 15° interchangeable lenses
- ✓ Only 6.1kg (13.4 lbs.) / Low power consumption (W)
- ✓ Accurate 16bit dimming performance
- ✓ Flicker-free / Programmable scenes

Certifications & classifications

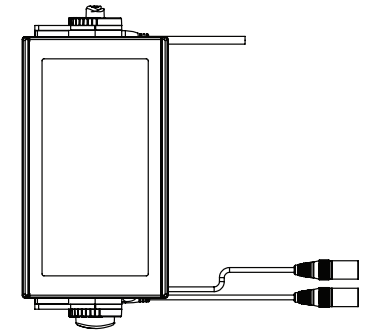
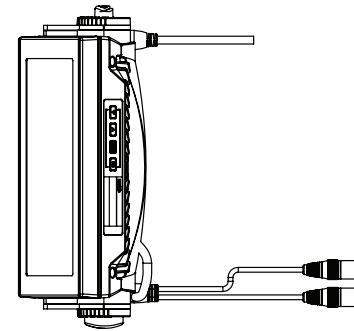
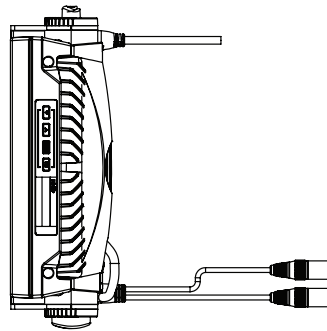
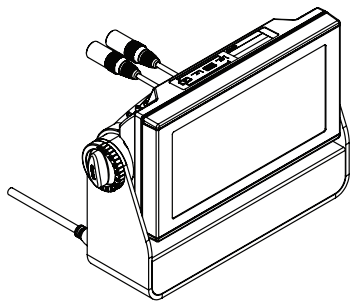
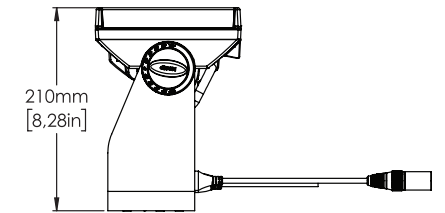
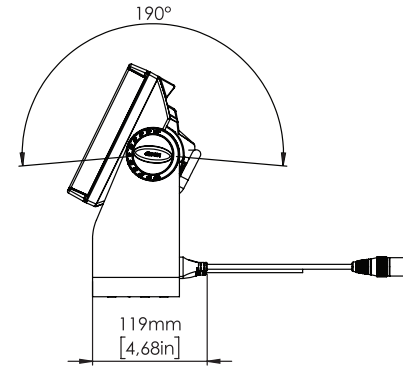
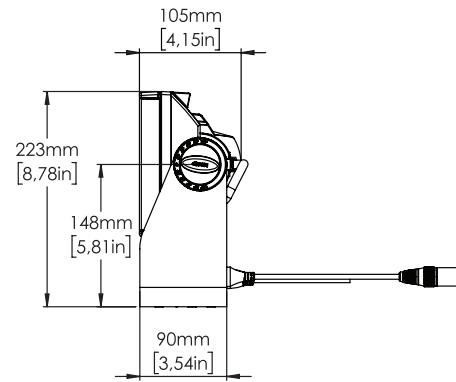
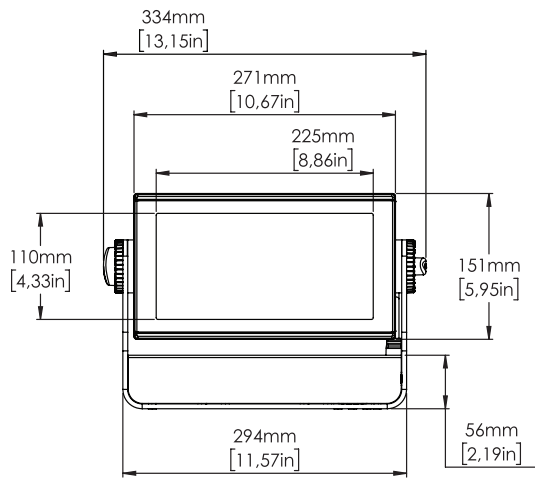
IP65
INGRESS

RoHS
COMPLIANT

CE

ETL
US

UV
RESISTANT



Specification

Optical Data	LED expected lifetime	50,000 hours
	Lightsource	18 x high-power 10W RGBW LEDs
	Native lens options	15° 21° 43°
Photometric	Average CRI (CTC)	83
	Efficacy	37 lm/W
	Light output all LEDs on	8727 lm
	Light output blue	715 lm
	Light output green	2709 lm
	Light output red	2526 lm
	Lumen per kilogram	1431 lm / Kg
	Lux @ 10m	853 lux
	Lux @ 3m	9478 lux
	Lux @ 5m	3412 lux
	Native beam angle(s)	14° (with 15° lens) 26° (with 21° lens) 36° (with 43° lens)
Native field angle(s)	77° (with 43° lens) 54° (with 21° lens) 31° (with 15° lens)	
Physical	Color options	Black - RAL 9004 Custom color - Any RAL White - RAL 9010
	Effective Projected Area	0.96 Square ft
	IK rating	IK05
	IP class	IP65
	Lens material	PE
	Material	Aluminium
	Net dimensions inches	13.2 x 8.8 x 4.1 inches
	Net weight	6.1 kg (13.5 lbs)
Vibration Rating	3G (Optional)	
Features	Color calibration	SGM proprietary, full color calibration
	Dimming	2 Smooth fade in, DMX-controllable curves: gamma corrected, and linear
	Filters	Optional external spread angle filters (requires Accessory Holder)
	LED panel	3 individually controllable segments

	Strobe	Ultra-high-speed strobe effects Pixel strobe feature (up to 3 segments)
	Tilt	0 - 190°
Electrical	Electrical protection	Overload protection with automatic recover
	Input voltage, absolute max. rating	90 - 305 VAC; 50 / 60 Hz
	Input voltage, nominal	100 - 277 VAC; 50 / 60 Hz
	Max inrush current 230VAC	75 A
	Max power consumption	236 W
	Power factor	0.97 PF (230 V)
	Power Supply Unit	Inbuilt IP 67 Auto-ranging electronic switch-mode
	Standby power consumption	5 W
Programming and Control	16-bit control	Dimmer, Red, Green, Blue, White
	Cabled DMX	5 pin XLR input/output
	DMX channels	3, 6, 9, 12, 15 or 22
	DMX modes	10
	Protocol	USITT DMX512A RDM ANSI E1.20
	Setting and addressing	OLED graphical display / 4 buttons RDM ANSI E1.20 Standalone mode
	Standalone mode	Quick Color Up to 24 programmable scenes
Connections	DMX data in/out	2 IP65 XLR 5-pin cables 0.5m (permanently wired)
	Power	Power cable 1 meter with bare ends (permanently wired)
Installation	Mounting point	2 quarter-turn locking points for one Omega bracket
	Orientation	Any
	Rigging possibilities	Floor stand (included) or hanging (Omega clamps included)
	Safety features	Bottom mount for safety wire Minimum distance to combustible materials: 0.3 meter (11 in).
Thermal	Cooling	Active, Forced Air, Temperature-regulated
	Humidity (max.)	98 %
	Temperature range, operating max	50 °C

Temperature range, operating min	-40 °C
Thermal protection	Automatic overtemperature protection
Total heat dissipation, max power	805.2 BTU per hour
Total heat dissipation, standby	17.1 BTU per hour

Included items	Included items	Mounting bracket (incl. screws) 1 Omega bracket with quarter-turn fasteners Safety instructions and installation quick guide
-----------------------	----------------	--

Conforms To	CE - 2014/30/EU: EMC Directive	EN 55103-1 EN 55103-2 EN 55015 EN 61547 EN 61000-3-2 EN 61000-3-3
	CE - 2014/35/EU: Low Voltage Directive	EN 60598-1 EN 60598-2-17 EN 62471 EN 60529
	RoHS2 Directive	2011/65/EU
	UL	UL Std. 1573

Certified To	CSA	CSA-E598-2-17-98, Ed: 1 CSA E60598-1, Ed: 3
---------------------	-----	--

Ordering information

Qty	Product name	Item number
<input type="checkbox"/>	P-2 Wash, 43°, Std, CU	80030591
<input type="checkbox"/>	P-2 Wash, 21°, Std, BL	80030526
<input type="checkbox"/>	P-2 Wash, 43°, Std, BL	80030528
<input type="checkbox"/>	P-2 Wash, 15°, Std, BL	80030529
<input type="checkbox"/>	P-2 Wash, 43°, Std, WH	80030543
<input type="checkbox"/>	P-2 Wash, 21°, Std, WH	80030544
<input type="checkbox"/>	P-2 Wash, 15°, Std, WH	80030545
<input type="checkbox"/>	P-2 Wash, 21°, Std, CU	80030592
<input type="checkbox"/>	P-2 Wash, 15°, Std, CU	80030593
<input type="checkbox"/>		

Accessories	Item number	
<input type="checkbox"/> P-2 Lens Kit, 15°	83061132	
<input type="checkbox"/> P-2 Lens Kit, 21°	83061133	
<input type="checkbox"/> P-2 Lens Kit, 43°	83061134	
<input type="checkbox"/> Omega Bracket with 1/4-turn fasteners	83060602	
<input type="checkbox"/> 4-way Barndoors for P-2, Q-2, i-2	83061129	
<input type="checkbox"/> 8-way Barndoor for P-2, Q-2, i-2	83061130	
<input type="checkbox"/> Accessory Holder for P-2 & i-2	83061127	
<input type="checkbox"/> Color Frame for P-2, Q-2, i-2	83061131	
<input type="checkbox"/> Floor Stand for P-2 & Q-2	83060613	
<input type="checkbox"/> Flight Case for 4 pcs P-2, Q-2, Q-2 W & i-2 incl barndoors	82051503	
<input type="checkbox"/> SGM USB uploader cable	83062011	
<input type="checkbox"/> Vacuum Test Kit	83061136	
<input type="checkbox"/> A-4	80070217	
<input type="checkbox"/> Diffusion filter for P-2, i-2 - medium, external	83061021	
<input type="checkbox"/> Diffusion filter for P-2, i-2 - wide, external	83061022	
<input type="checkbox"/> Diffusion filter for P-2, i-2 - elliptical horizontal, external	83061023	
<input type="checkbox"/> Diffusion filter for P-2, i-2 - elliptical vertical, external	83061024	
<input type="checkbox"/> RDM Addressing Tool		
<input type="checkbox"/> Spigot adapter for omega bracket	83060639	
<input type="checkbox"/>		



Headquarter +45 70 20 74 00

Mail info@sgmlight.com

Website sgmlight.com